

## Sink Happy Hour Copper

Kitchen Sinks

Code: 1049 858



### DETAILS

Coloring Copper

---

Texture Brushed in line

---

Finish PVD

---

Material AISI 304 stainless steel

---

Edge/Installation Type Undermount

---

Dimensions 1236x503 mm

---

Standard fittings Fixing hooks, gasket, drain, overflow and siphon, boxed packing

---

Mixer holes No standard holes

---

Built-in hole 1185x477 mm

---

Drainer No

---

Width 123.6 cm

---

Bowl dimension 1185x400 mm

---

Number of bowls 1 bowl

---

Waste fitting 3,5" drain

---

## EQUIPMENT

1 x Black Grid 8100 600  
1 x Bamboo chopping board  
8200 002

---

## FEATURES

**Copper** The Copper finish is obtained by treating steel with a physical process called PVD (Physical Vacuum Deposition) which deposits particles of noble metals on the surface. The result is a unique and refined aesthetic effect, and an improvement of the mechanical properties of the steel which is more resistant to impact and scratches.

---

**Diamond-shape bottom** The draining of water is an important feature in a sink, and it's always taken good care of in Foster products. In the bent-welded sinks, which would have a flat bottom, the proper draining is guaranteed by the elegant beveling, which helps the water flow.

---

**High thickness** 1mm thick steel. A significant thickness, which guarantees the maximum sturdiness and durability.

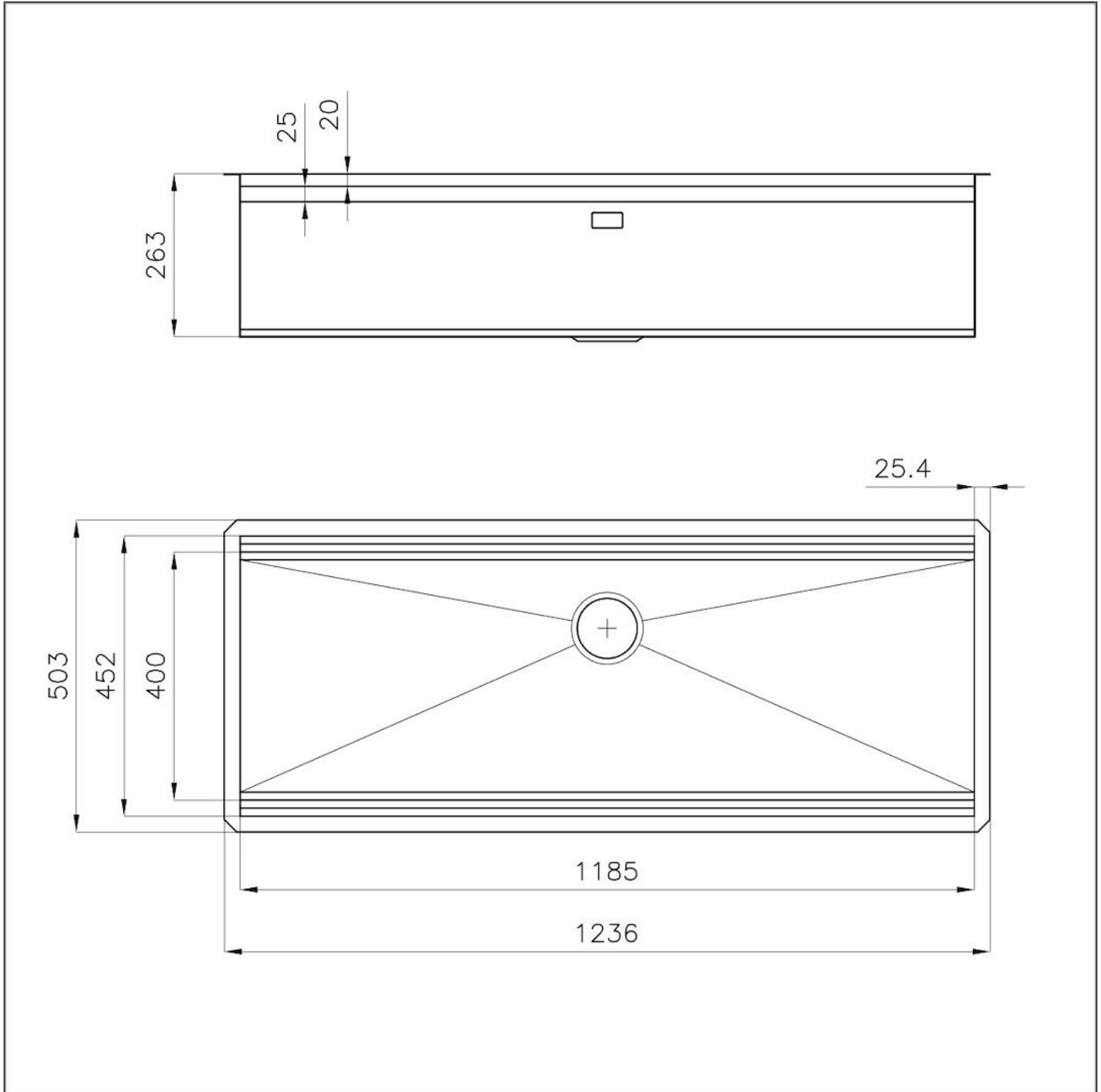
---

**Triple recess - sliding accessories** The Foster Milano sink has an ingenious design that makes it simple to use a large set of optional accessories. On the topmost supporting step, the innovative Black grids slide, creating a large and practical surface to rinse food and crockery. The second step is meant to support and allow the sliding of a complete combination of accessories, which make some operations practical and safe: rinse, drain, slice, grate... everything can be done inside the sink. The third supporting step is on the bottom of the bowl. On this step one can rest the Black grids, making it possible to rinse foodstuffs without their coming in contact with the bottom of the sink, which may be dirty.

## Perimetral overflow

The overflow is always a security on the Foster sinks that prevents the overflow of water in case of oversights. The perimeter drain solution improves aesthetics thanks to its square and essential shape.

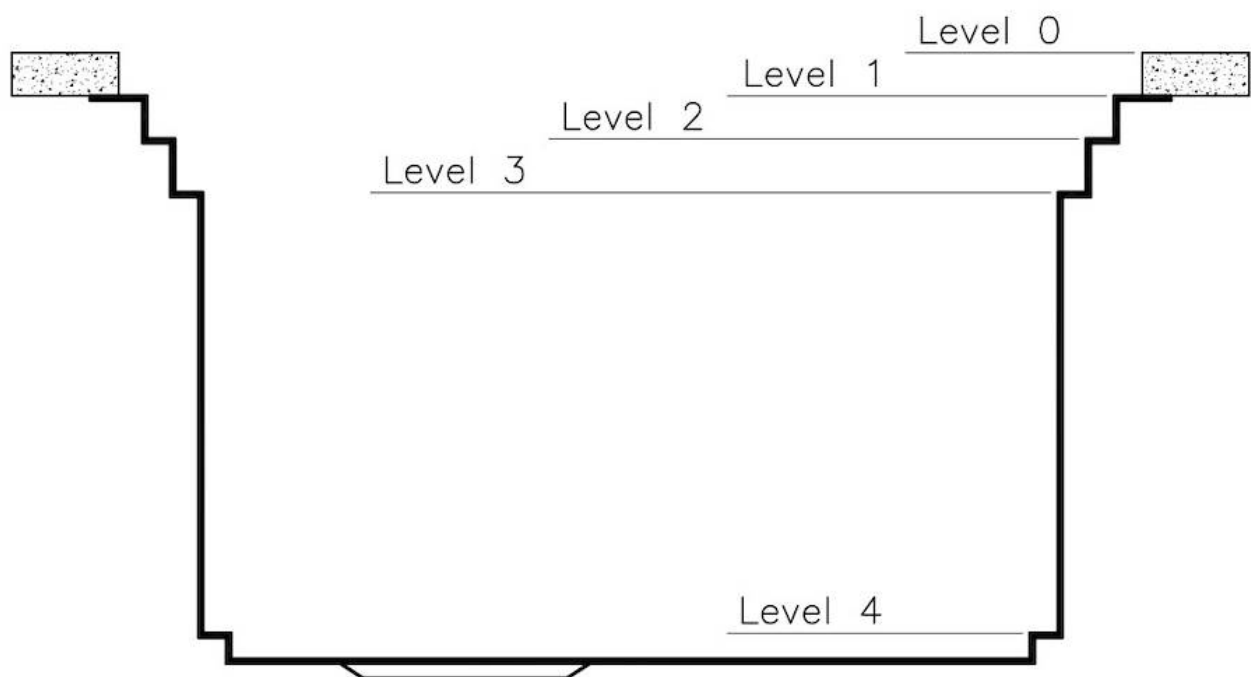
## TECHNICAL DATA



## Happy Hour Optional accessories / Accessori opzionali

The "rails" system makes it possible to use a combination of numerous accessories. Grids, chopping boards, utensils' ranging system, bowls and containers of different dimensions can be alternated in the workspace with a simple gesture, and can easily be stacked, in order to be on hand at all times.

Il sistema di "corsie" rende possibile l'utilizzo combinato di innumerevoli accessori. Griglie, taglieri, portautensili, vaschette e contenitori di varie dimensioni si alternano nella zona di lavoro con un semplice gesto e possono essere impilati, sempre a portata di mano.



## Happy Hour Level 0

Compatible accessories/Accessori compatibili:

8200 002

8200 601



## Happy Hour Level 1

Compatible accessories/Accessori compatibili:

8100 625

8100 626

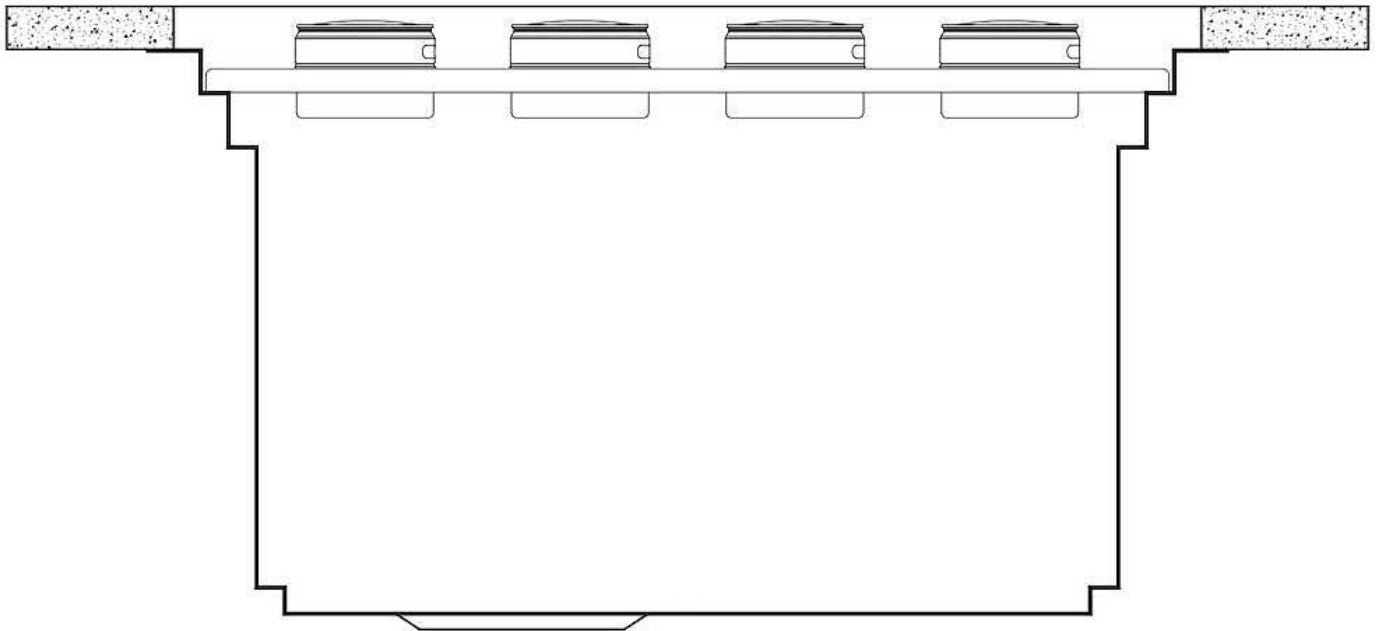
8100 627



## Happy Hour Level 2

Compatible accessories/Accessori compatibili:

8100 600  
8100 620  
8100 621  
8100 622  
8100 628  
8642 000



## Happy Hour Level 3

Compatible accessories/Accessori compatibili:

8644	101
8153	100
8631	300
8200	002
8200	601
8100	623
8100	624



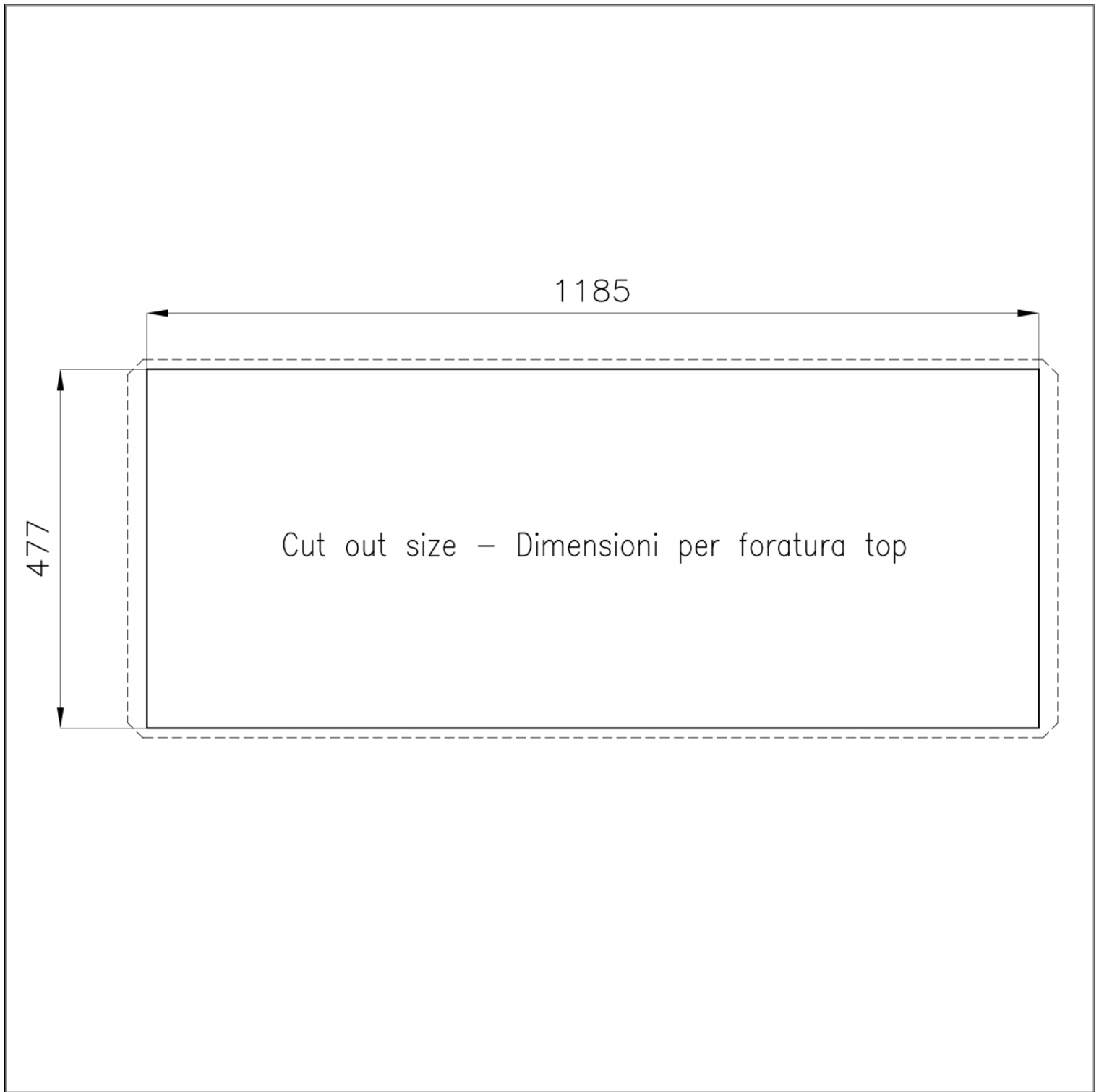


## Happy Hour Level 4

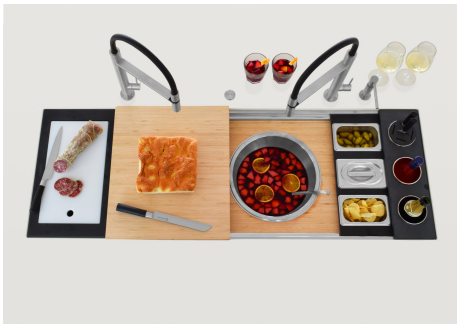
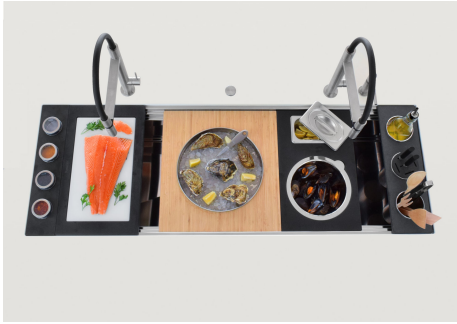
Compatible accessories/Accessori compatibili:

8100 600





## GALLERY



## EQUIPMENT



**Bamboo chopping board**  
8200 002



**Black grid**  
8100 600

## OPTIONAL ACCESSORIES



**2 Bowls set**  
8100 623



**3 Bottles-holder set**  
8100 621



**3 Bottles-holder set**  
8100 626



**3 Bowls set**  
8100 622



**3 Bowls set**  
8100 624



**4 Spices-holder set**  
8100 620



**4 Spices-holder set**  
8100 625



**Glass chopping board**  
8631 300



**Graters kit with ring-holder and food collection tray**  
8159 101

\* only in combination with the accessory 8100 627 or 8644 101



**HDPE + Black Twin chopping board**  
8100 627



**HPDE Twin chopping board**  
8644 101



**Kit bowl Ø30 cm with bamboo support**  
8200 601



**Kit multi-bowl**  
8100 628



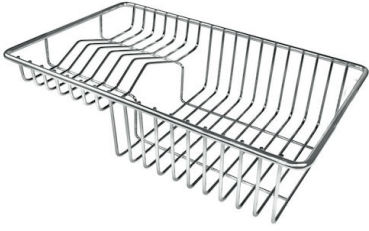
**Knives-holder**  
8100 030

\* only in combination with the accessory 8100 621 or 8100 626



**Stainless steel perforated tray**  
8151 000

\* only in combination with the accessory 8100 627 or 8644 101



**Stainless steel plate rack**

8100 303

\* only in combination with the accessory  
8100 627 or 8644 101



**Steel tray**

1778 000

\* only in combination with the accessory  
8200 601



**Walnut-wood chopping board**

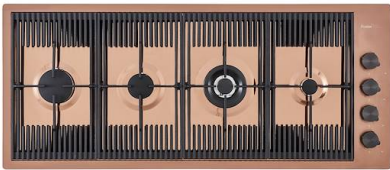
8642 000



**White bowl**

8153 100

## RECOMMENDED PAIRINGS



**Cooker hob Milanello Copper**

7681 008



**Mixer Tap Omega Copper**

8497 400



**Mixer Tap Skin Copper**

8424 858



**Space Push Copper automatic  
waste fitting**

8407 122



**VOLTA COPPER**

8491 108